

Infinity XE 60

Nitrogen generator supporting multiple instruments

Part Number : See Reverse

Service Kit : See Reverse



Your local gas generation partner

Description

Producing between 10 and 520 L/min of high purity nitrogen gas, the Infinity XE 60 series nitrogen membrane gas generators can comfortably supply multiple laboratory instruments with instrument grade nitrogen.

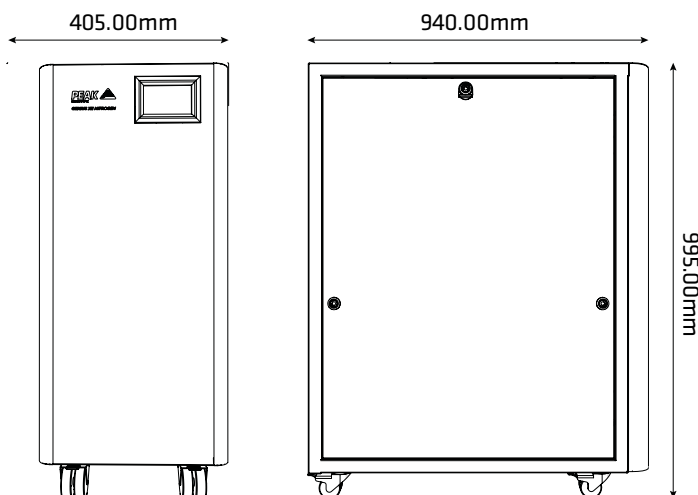
Offering labs a cost-effective alternative to cylinders in a compact, space saving nitrogen solution, the Infinity XE 60's Intelligent Membrane Management (IMM) uniquely optimizes air consumption depending on set purity, inlet pressure/flow and nitrogen demand. With variable N₂ purities (95- 99.5%), XE 60 can meet the demands of numerous applications such as ELSD, NMR, FT/MS, Sample Evaporators, as well as LC-MS and should your lab demands grow over time, Infinity XE 60 can have its nitrogen output increased on-site up to a maximum of 520 L/min all within the same original footprint.

To operate, the Infinity series of generators require an external source of compressed air, which meets a minimum quality grade of ISO 8573-1:2010 Class 1.4.1. Where required, Peak can provide assistance on external compressors & pre/post filtration as part of delivering a complete solution for your needs.



Applications

- ▶ LC-MS
- ▶ ELSD
- ▶ Sample Evaporators
- ▶ NMR
- ▶ FT/MS



INFINITY XE 60 Dimensions

Key Features

- ▶ Flow rates ranging from 10-520 L/min*
- ▶ N₂ purity up to 99.5%
- ▶ Versatile solution with varying Nitrogen flow, pressure & purity capabilities
- ▶ In-field expansion of nitrogen capacity, for models without dry air outlet, to meet growing lab demands
- ▶ Optional second outlet for Dry Air
- ▶ Intelligent Membrane Management (IMM) optimizes compressed air requirement based on gas consumption
- ▶ IMM reduces overall compressor run time and energy consumption, reducing carbon footprint
- ▶ Fully comprehensive 2-Year Warranty**

* Dependent on inlet pressure, inlet/outlet flow & Nitrogen purity setting

** subject to meeting 2 year warranty conditions

www.peakscientific.com/warranty-statement/

Technical Specifications	6010	6020	6030	6040
Flow Rate Min - Max [†] (Nitrogen L/min)	up to 130 L/min	up to 260 L/min	up to 390 L/min	up to 520 L/min
Purity N2 Min - Max	up to 99.5%			
N2 Dewpoint	up to -50°C			
Flow Rate Min - Max [†] (Dry Air L/min)	up to 210 L/min	up to 210 L/min	up to 210 L/min	up to 210 L/min
Air Dewpoint	-20°C			
Max Outlet Pressure	135Psi (Depending on Inlet Pressure)			
Inlet Air Quality Requirement	ISO 8573-1:2010 (1:4:1)			
Inlet Air Pressure Requirement	60 - 145Psi (Depending on Outlet Pressure requirements)			
Inlet Air Pressure Flow Rate ^{††}	262 L/min			
Voltage	100 - 230 VAC +/- 10%			
Frequency	50 / 60 Hz			
Current	0.5A @ 110V / 0.25A @ 230V			
Input Connection	C20 Plug			
Power Cord	C19 Socket to local connection			
Power Consumption	0.1 kW			
Operating Temperature	5°C - 30°C / 41°F - 86°F			
Pollution Degree	2			
Installation Category	II			
Dimensions mm (inches) W x D x H	405 (15.9) x 940 (37) x 995 (39.2)			
Weight Kg (Lbs)	75Kg (165.4lbs)	78.5Kg (173.1bs)	80Kg (176.4bs)	82.5Kg (181.9bs)
Shipping Weight Kg (Lbs)	92.5Kg (204bs)	95Kg (209.5bs)	97.5Kg (215bs)	100Kg (220.5.1bs)

[†]Dependant on inlet pressure, inlet/outlet flow and Inlet Air Quality

^{††} For Infinity XE users with the Dry Air option, please allow for an additional compressed air requirement of 262L/min to support the Dry Air output.

Ordering Information				
Part Number (Nitrogen Only)	3303147	3303148	3303149	3303150
Part Number (Nitrogen & Dry Air)	3303147-AD	3303148-AD	3303149-AD	3303150-AD
Annual Service Kit	Visit: www.peakscientific.com/ordering			
Fixed Price Preventative Maintenance				
Complete/Standard Maintenance Plan				

[PEAK Protected][™]

Peak Scientific gas generators define the benchmark in reliability, convenience and performance in laboratories around the world, and come backed by a 2 year warranty**. Beyond this period however you can ensure that you're investment continues to be **[Protected]** by our comprehensive generator care cover.

Our world-class aftercare support packages deliver a program of scheduled preventative maintenance whilst giving you the reassurance of instant access to worldwide technical support and priority on-site response in the untimely event of a breakdown.

Peak Scientific's Quality Management System conforms to: ISO:9001:2008



FM 515973

Product Certifications





Wolflabs

Wolf Laboratories Limited

www.wolflabs.co.uk

Tel: 01759 301142

Fax: 01759 301143

sales@wolflabs.co.uk



Use the above details to contact us if this literature doesn't answer all your questions.

Pricing on any accessories shown can be found by keying the part number into the search box on our website.

The specifications listed in this brochure are subject to change by the manufacturer and therefore cannot be guaranteed to be correct. If there are aspects of the specification that must be guaranteed, please provide these to our sales team so that details can be confirmed.

